

**SPECIFICATIONS:**

- FREQUENCY: . . . . . 0.5 GHz TO 18 GHz
- INSERTION LOSS: . . . . . 3.5 dB MAX. @ 18 GHz
- ISOLATION: . . . . . 0.5 GHz TO 18 GHz: 40 dB MIN. (TRA2)  
0.5 GHz TO 18 GHz: 65 dB MIN. (TRA3)
- VSWR: . . . . . IN/OUT: 2.0:1
- SPEED: . . . . . RISE: 10ns TYPICAL, 15ns MAX.  
FALL: 10ns TYPICAL, 15ns MAX.  
DELAY ON: 75ns TYPICAL, 100ns MAX.  
DELAY OFF: 75ns TYPICAL, 100ns MAX.
- POWER SUPPLY: . . . . . +5V @ 150 mA MAX.  
-5V @ 150 mA MAX.
- POWER INPUT: . . . . . (CW)+20 dBm (STANDARD), +10 dBm (HIGH SPEED)
- SURVIVAL POWER: . . . . . 1 WATT CW, 10 WATTS PEAK 1 usec
- CONTROL: . . . . . SEE TABLE I
- SIZE: . . . . . 1.00" (L) x 1.00" (W) x 0.75" (H)
- WEIGHT: . . . . . 1.5 OZ. MAX.

**OPTIONS:**

- SINGLE CONTROL WITH SOLDER PIN STANDARD
- IND-SP . . . . . INDEPENDANT CONTROL WITH SOLDER PIN
- SMC . . . . . SMC CONTROL ( MALE )
- IND-SMC . . . . . INDEPENDANT CONTROL WITH SMC CONTROL ( MALE )
- 10M18 . . . . . 10 MHz TO 18 GHz (INSERTION LOSS INCREASES BY 1.5db AT 10 MHz AND 0.5db AT 18 GHz)
- 100M18 . . . . . 100 MHz TO 18 GHz (INSERTION LOSS INCREASES BY 1.5db AT 100 MHz AND 0.5db AT 18 GHz)
- 118 . . . . . 1 GHz TO 18 GHz (NO CHANGE IN INSERTION LOSS)
- 218 . . . . . 2 GHz TO 18 GHz (NO CHANGE IN INSERTION LOSS)
- 412 . . . . . 4 GHz TO 12.4 GHz (NO CHANGE IN INSERTION LOSS)
- 618 . . . . . 6 GHz TO 18 GHz (NO CHANGE IN INSERTION LOSS)
- 1218 . . . . . 12 GHz TO 18 GHz (NO CHANGE IN INSERTION LOSS)
- 100M20 . . . . . 100 MHz TO 20 GHz (INSERTION LOSS INCREASES BY 1.5db AT 100 MHz AND 1.0db AT 20 GHz)
- 220 . . . . . 2 GHz TO 20 GHz (INSERTION LOSS INCREASES BY 1.0db AT 20 GHz)
- 1020 . . . . . 10 GHz TO 20 GHz (INSERTION LOSS INCREASES BY 1.0db AT 20 GHz)
- B01 . . . . . -12V POWER SUPPLIES
- B02 . . . . . -15V POWER SUPPLIES
- B03 . . . . . REVERSE LOGIC
- B05 . . . . . HIGH SPEED, TURNON/TURNOFF 20 nsec MAXIMUM WHEN APPLICABLE OR OPTION HS
- B06 . . . . . HIGH POWER - SPECIFY CW POWER, PEAK POWER, PULSE WIDTH, DUTY CYCLE, RF FREQUENCY AND BANDWIDTH
- B07 . . . . . CUSTOM DESIGNED PRODUCT- SPECIFY INITIALS OF CUSTOMER
- B08 . . . . . LOW VIDEO TRANSIENTS - SPECIFY VIDEO BANDWIDTH
- B09 . . . . . LOW INSERTION LOSS VERSION
- B10 . . . . . HIGHER ISOLATION VERSION

**ENVIRONMENTAL RATINGS:**

- TEMPERATURE: . . . . . -55°C TO +85°C (OPERATING)  
-65°C TO +125°C (STORAGE)
- HUMIDITY: . . . . . MIL-STD-202F, METHOD 103B COND. B
- SHOCK: . . . . . MIL-STD-202F, METHOD 213B COND. B
- VIBRATION: . . . . . MIL-STD-202F, METHOD 204D COND. B
- ALTITUDE: . . . . . MIL-STD-202F, METHOD 105C COND. B
- TEMPERATURE CYCLE: . . . . . MIL-STD-202F, METHOD 107D COND. A

NOTE: THE ABOVE SPECIFICATIONS ARE SUBJECT TO CHANGE OR REVISION

ALL DIMENSIONS ARE IN INCHES  
TOLERANCES:  
X.XX ±0.020  
X.XXX ±0.010

REVISIONS				
ZONE	REV.	DESCRIPTION	DATE	APPROVED
	-	ORIGINAL RELEASE	1/15/99	

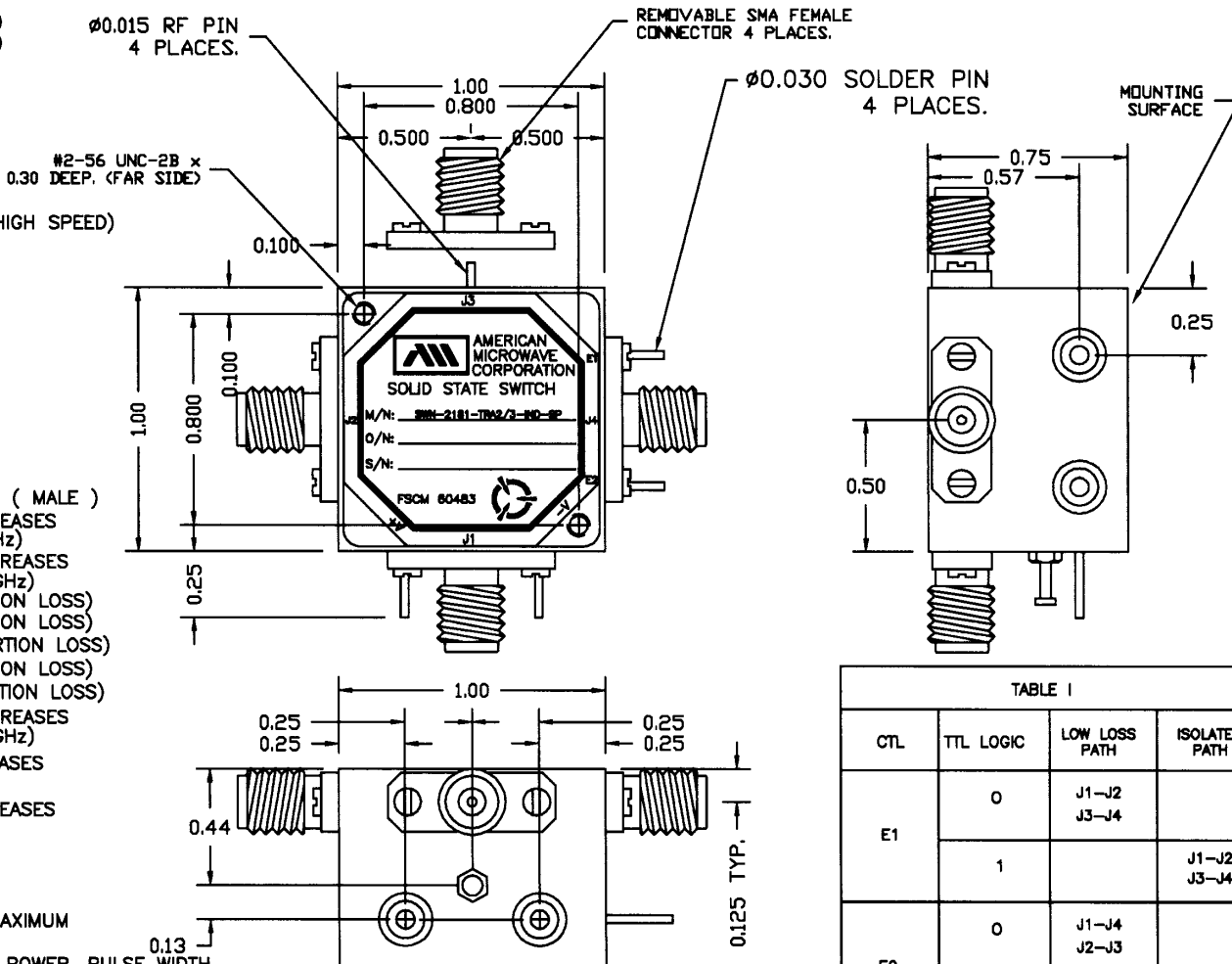


TABLE I

	CTL	TTL LOGIC	LOW LOSS PATH	ISOLATED PATH
E1	0		J1-J2 J3-J4	
	1			J1-J2 J3-J4
E2	0		J1-J4 J2-J3	
	1			J1-J4 J2-J3

NOTE:  
DR=WITH DRIVER, REFLECTIVE  
DT=WITH DRIVER, NON-REFLECTIVE/ABSORPTIVE

CONTRACT NO.		AMERICAN MICROWAVE CORPORATION FREDERICK, MARYLAND		
APPROVALS	DATE	TITLE		
DRAWN K SIMMS	1/15/99	OUTLINE DRAWING SWN-2181-TRA2/3-IND-SP TRANSFER SWITCH		
CHECKED		SIZE	FSCM NO.	DWG NO.
ISSUED		A	60483	100-4706-4
		SCALE	N/S	SHEET 1 of 1